

6mm THICK GRADE 304 STAINLESS STEEL PLAQUE
 TEXT AND LINES TO BE ENGRAVED AND IN-FILLED BLACK WITH CLEAR TOP COAT

ROTARY LOGO TO BE ENGRAVED AND IN-FILLED BLACK WITH CLEAR TOP COAT

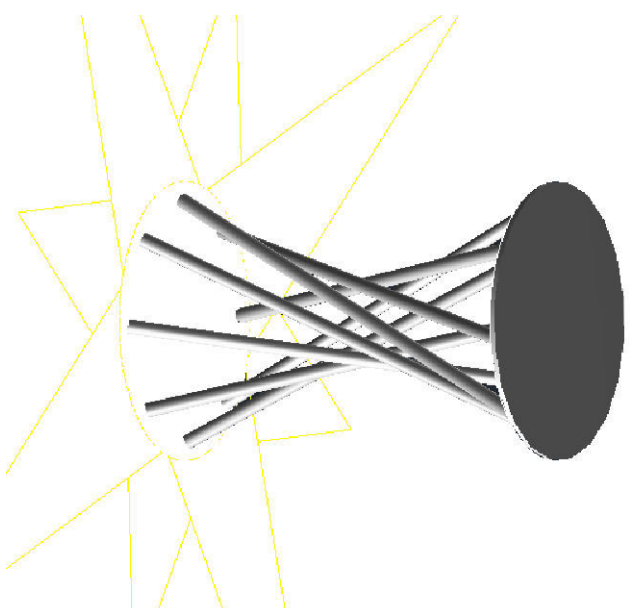
Ø600

LAYOUT PLAN
 SCALE 1:5

SCALE 1:10	0 0.05 0.1 0.15
SCALE 1:20	0 0.1 0.2 0.3
SCALE 1:50	0 0.25 0.5 0.75
SCALE 1:100	0 0.5 1.0 1.5
SCALE 1:200	0 1 2 3

Revision	Date	Alterations and Remarks	Level Datum	N/A	Original Paper Size	AA
A			Drawn Location	N/A	AS SHOWN	AS SHOWN
			Design	N/A	N/A	N/A
			Drawn	JST	12/10/2017	
			Drawn	JST	12/10/2017	
			File Name	M-1149-A		
			Survey Title	2016-027		

MOUNT INKERMAN LOOKOUT
 PLAQUE LAYOUT



3D MODEL
 NTS

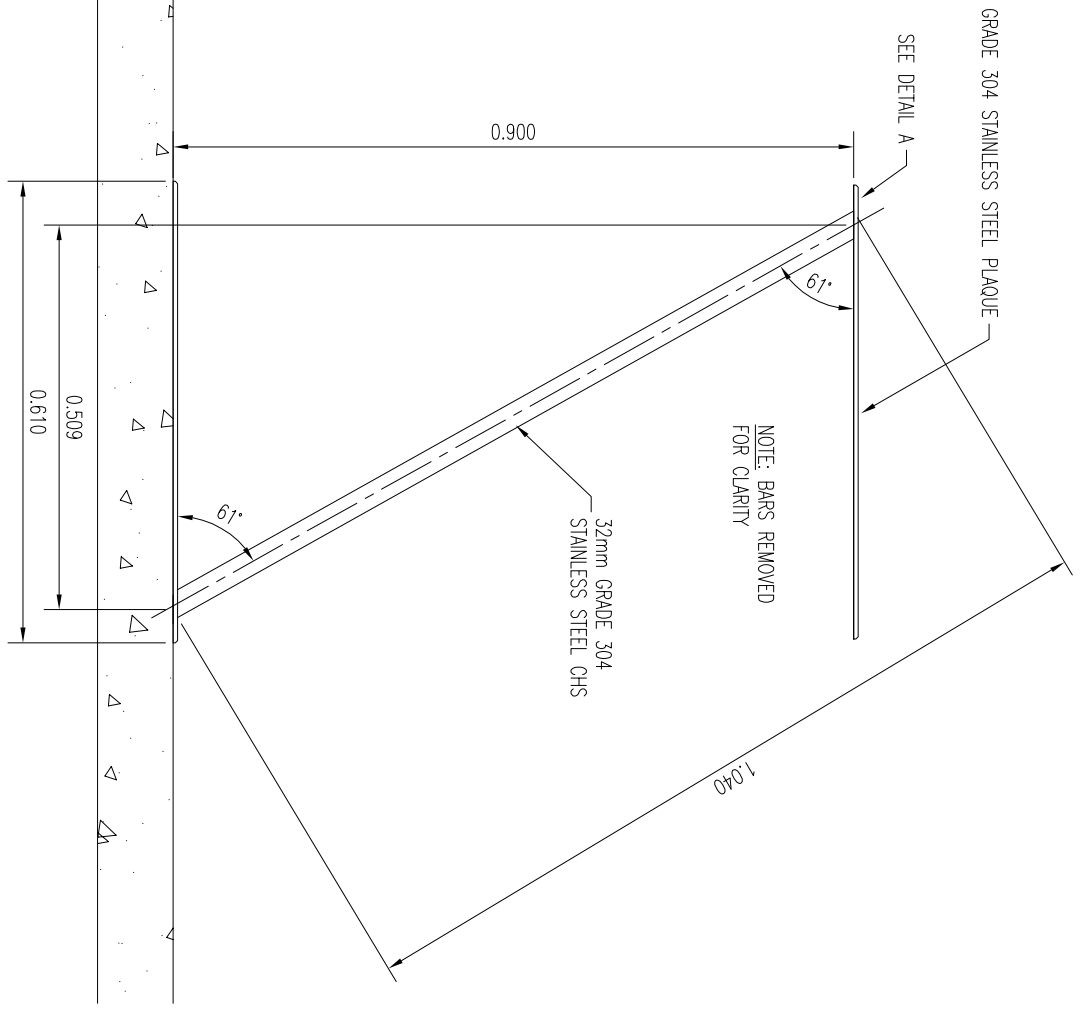
Burdekin Shire Council

Burdekin Shire Council

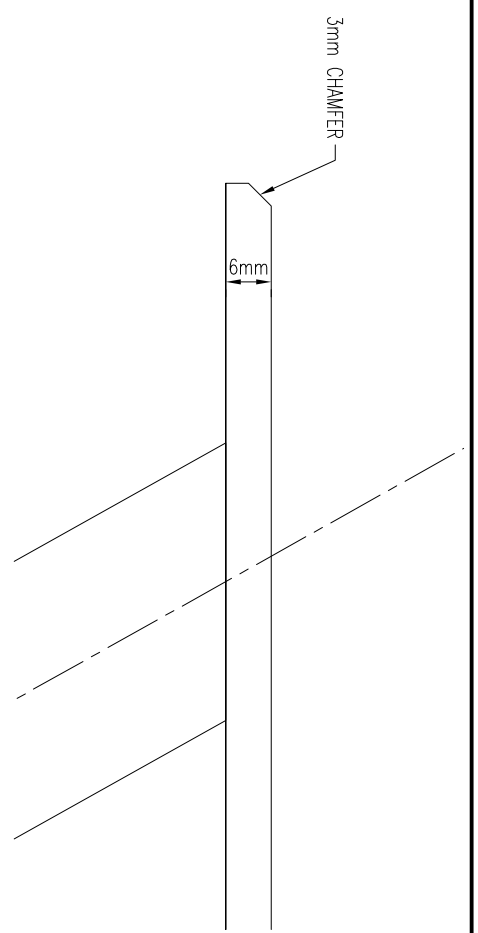
145 Young Street, AVR QLD 4807
 PO Box 974, AVR QLD 4807
 AS/NZS 90 393 843 839

Phone: (07) 4733 9800
 Fax: (07) 4733 9999
 Email: burdekin@burdekin.qld.gov.au

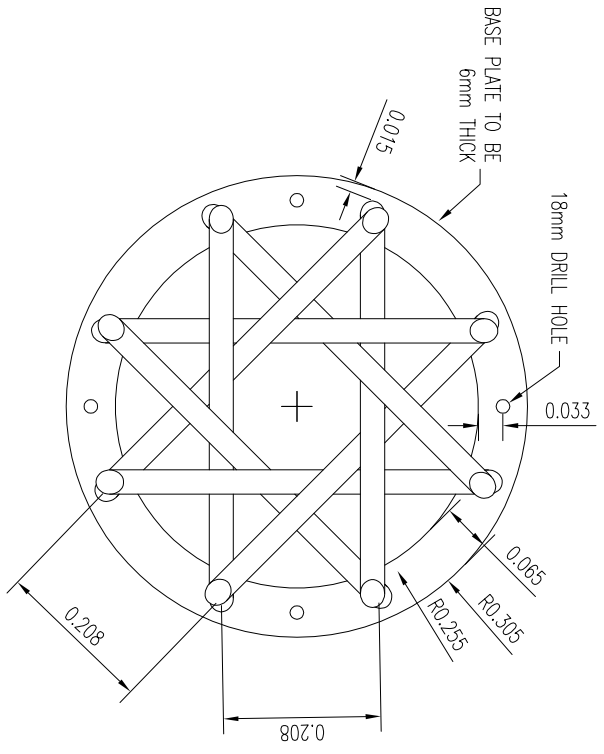
Checked Date	Recommended	Sheet Number	Revision
		200172	1 OF 2
		M-1149-1	A



SIDE VIEW
SCALE: 1:10



DETAIL A
SCALE: 1:10



FRAME LAYOUT PLAN
SCALE: 1:10

Scale: 1:10	0	0.05	0.1	0.15
Scale: 1:20	0	0.1	0.2	0.3
Scale: 1:50	0	0.25	0.5	0.75
Scale: 1:100	0	0.5	1.0	1.5
Scale: 1:200	0	1.0	2.0	3.0

Revision	Date	Alterations and Remarks	Level Datum	Exam Location	N/A	Original Page Size	A4
A			N/A	N/A		AS SHOWN	N/A

Drawn	JST	Date	12/10/2017
Checked	JST	Date	12/10/2017
Survey Title	2016-027		

MOUNT INKERMAN LOOKOUT

PLAQUE FRAME

Burdekin Shire Council
145 Young Street, Ayr QLD 4807
Phone: (07) 4733 9800
Fax: (07) 4733 9999
Email: burdekin@burdekinshire.gov.au

Project Number	200172	Sheet Number	2 OF 2	Plan Number	N/A	Revision	A
Checked Date		Recommended Date		Approved Date			